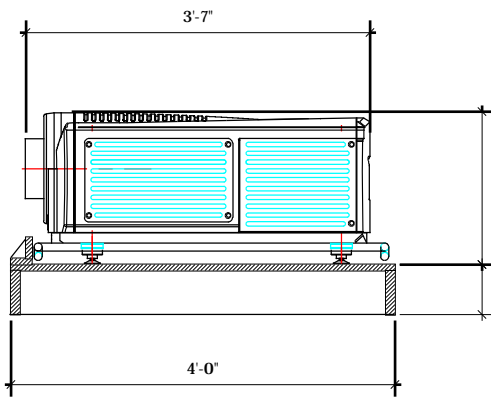
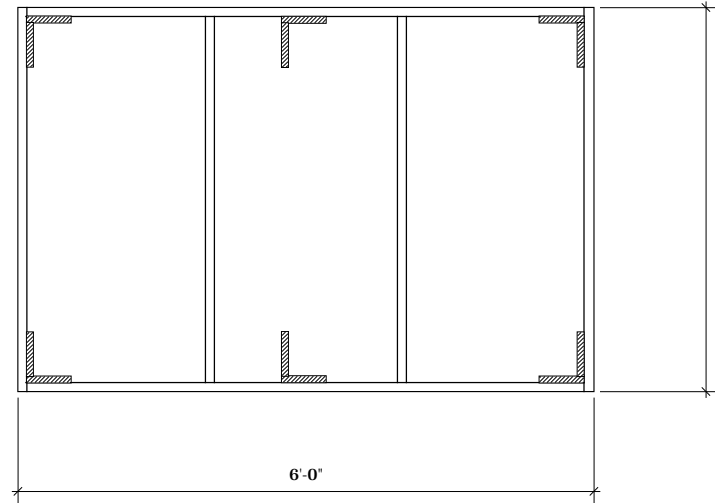


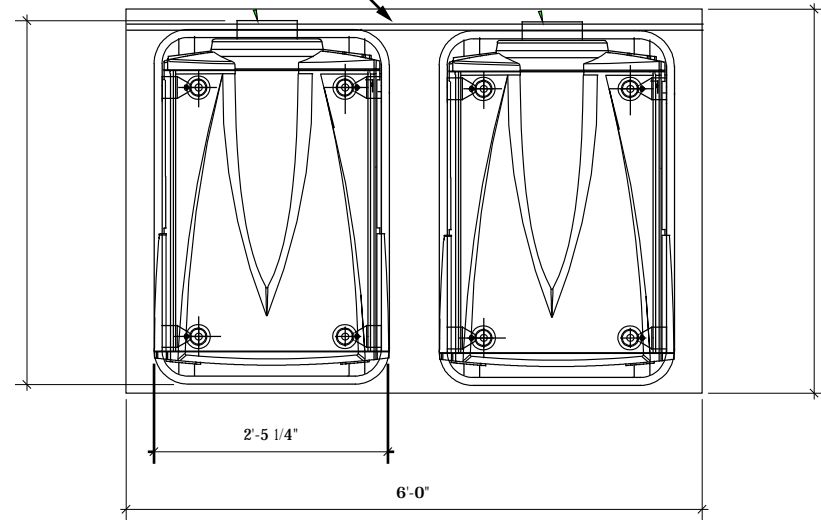
SECTION VIEW OF ASSEMBLED UNIT

TOP VIEW OF FRAME



SECTION VIEW OF PLATFORM UNIT

STOP STRIP ON THIS EDGE



TOP VIEW