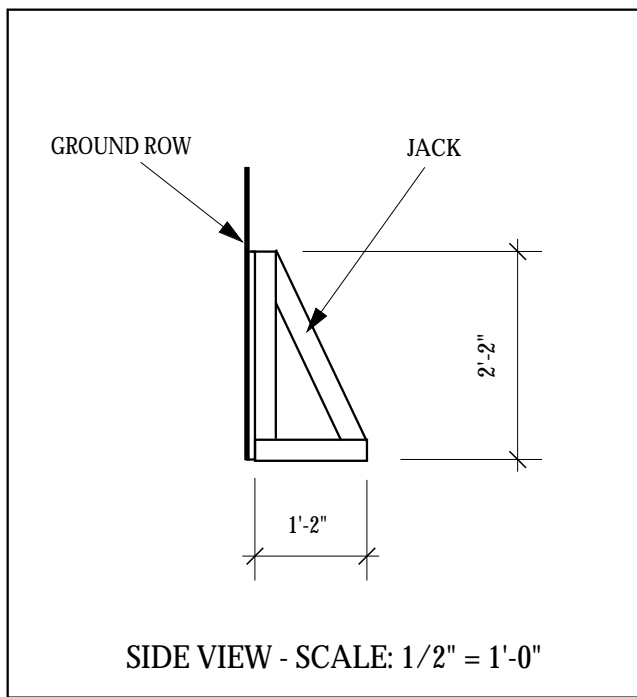


FRONT ELEVATION



PLAN VIEW

CL



SIDE VIEW - SCALE: 1/2" = 1'-0"

OPERA COMPANY OF PHILADELPHIA	
SCALE: 1/4"=1'-0"	ABDUCTION FROM THE SERAGLIO
REVISED: 1/24/99	LOW WALL UNIT DESIGNER: PAUL SHORTT
ver. 1.0	DRAWN BY: BOYD OSTROFF