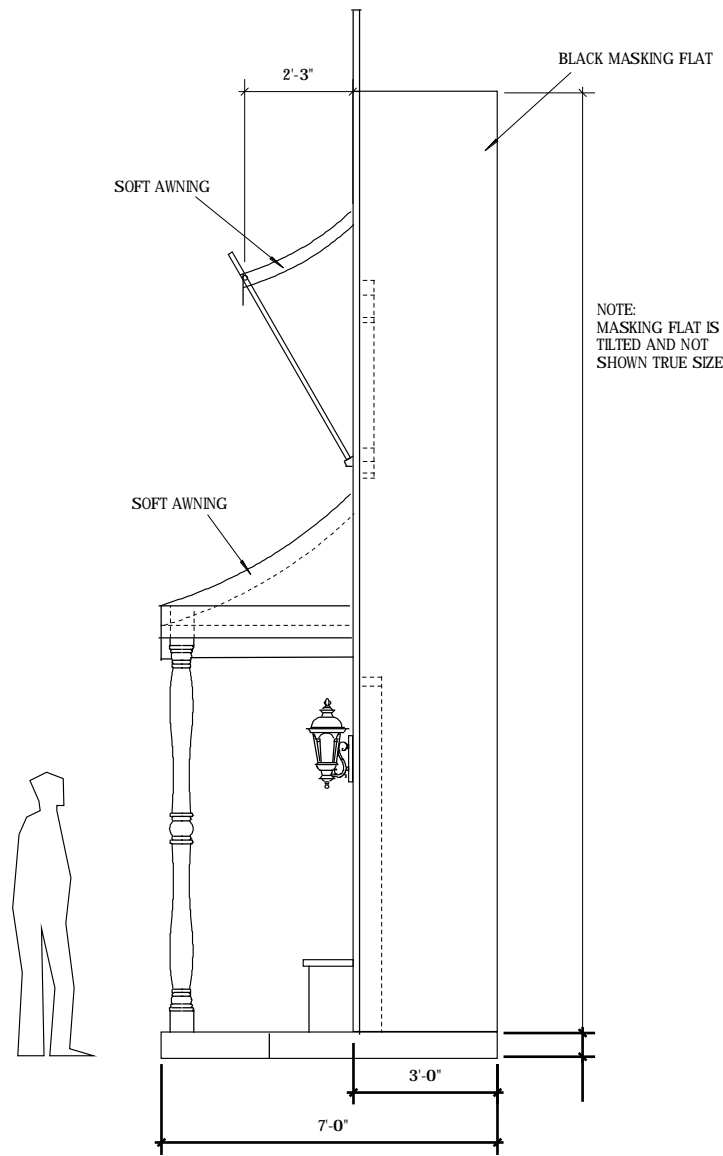
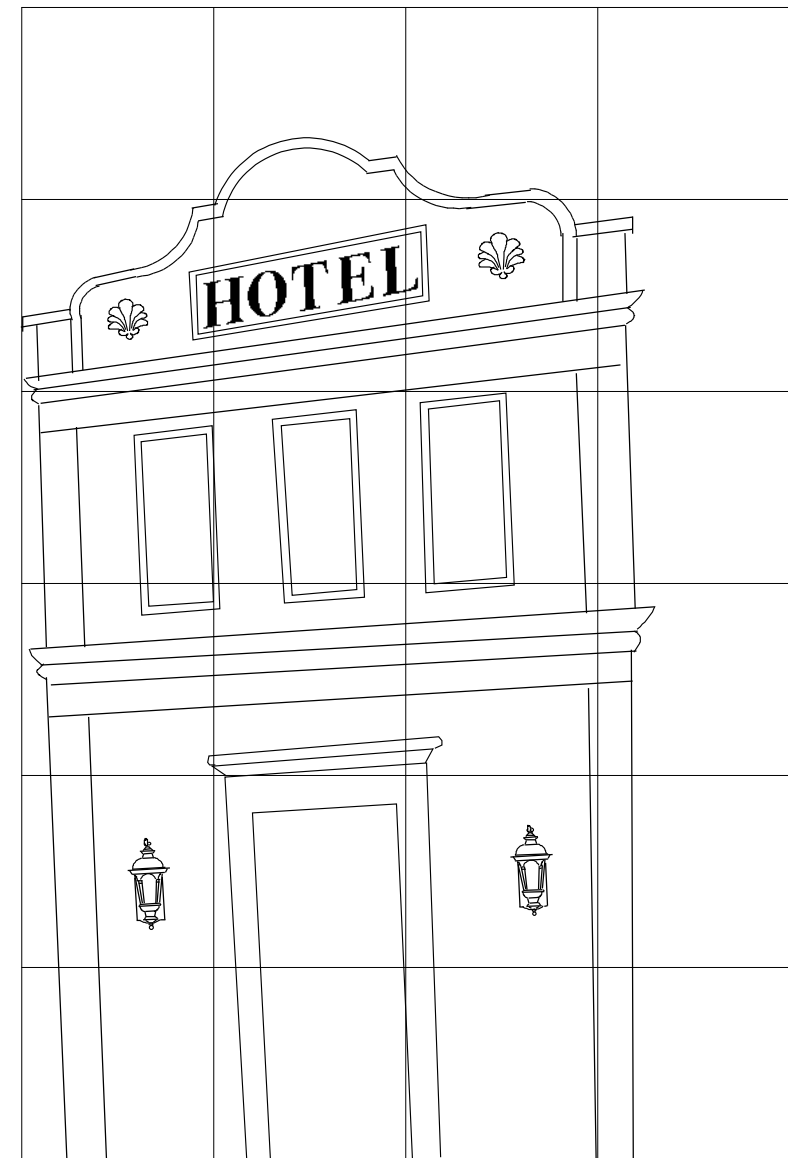


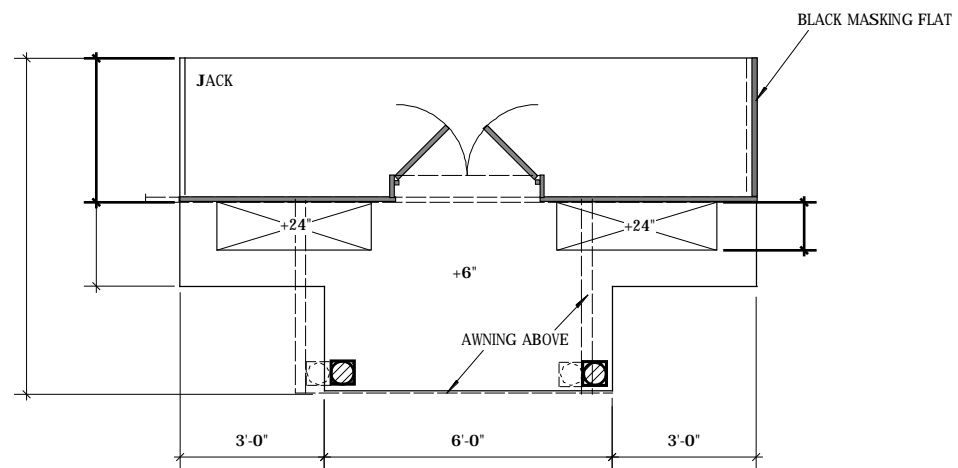
FRONT ELEVATION



RIGHT SIDE VIEW



FRONT ELEVATION
(4'-0" GRID SQUARES)



PLAN VIEW

- NOTES:
- STANDARD LAUAN-COVERED FLAT CONSTRUCTION
 - ALL TRIM AND SURFACE DETAILS ARE PAINTED
 - WAGON UNITS HAVE SWIVEL CASTERS
 - PROVIDE LEVER-OPERATED WAGON BRAKES